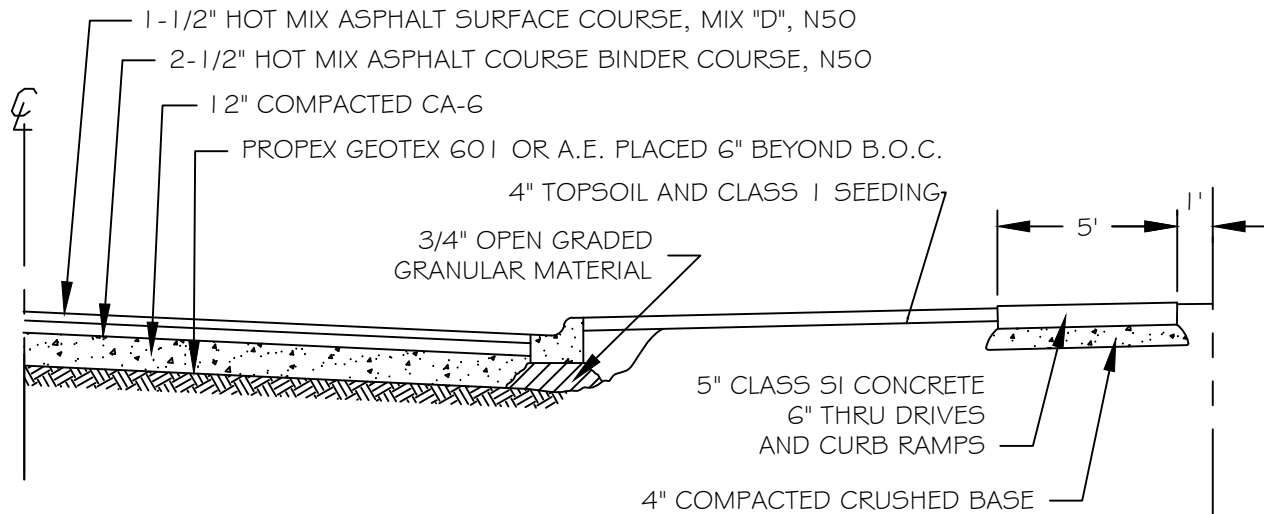


LOCAL RESIDENTIAL STREET (MINIMUM DESIGN STANDARD)



NOTES:

- 1) SUBGRADE MUST BE SHAPED PARALLEL TO FINISHED COURSE TO OBTAIN A SOUND FREE-DRAINING SUBGRADE TO THE CURB LINE AND TO THE INLETS OR CATCH BASINS.
- 2) SELECTED COMPACTED SUBGRADE WITH A MIN. I.B.R. OF 3.0
- 3) SEE EXHIBITS FOR CURB DETAILS
- 4) CLEAN COMPACTED CLAY FILL TO BE PLACED BEHIND B.O.C. PRIOR TO THE BINDER COURSE
- 5) SURFACE AND BINDER SHALL MEET THE LATEST EDITION OF IDOT'S STANDARD FOR ROAD AND BRIDGE CONSTRUCTION.



REVISIONS

DATE:	BY:
01/2013	DG
02/2022	CA

LOCAL RESIDENTIAL STREET

SCALE: NOT TO SCALE	CHECKED: DF	DRAWING NUMBER:
DATE: 1/04	DRAWN: NM/SAZ	

EXHIBIT II-B-1