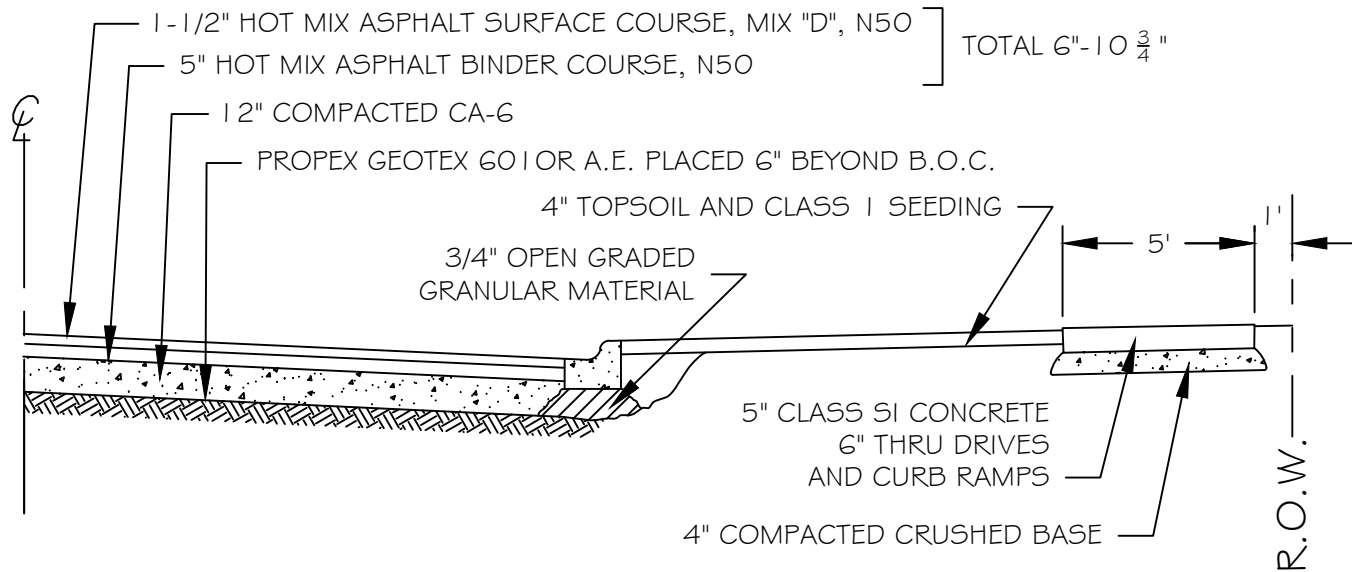


# MINOR COLLECTOR STREET (TYPICAL DESIGN)



**NOTES:**

- 1) SUBGRADE MUST BE SHAPED PARALLEL TO FINISHED COURSE TO OBTAIN A SOUND FREE-DRAINING SUBGRADE TO THE CURB LINE AND TO THE INLETS OR CATCH BASINS.
- 2) SELECTED COMPACTED SUBGRADE WITH A MIN. I.B.R. OF 3.0
- 3) SEE EXHIBIT FOR CURB DETAILS
- 4) CLEAN COMPACTED CLAY FILL TO BE PLACED BEHIND B.O.C. PRIOR TO THE BINDER COURSE
- 5) SURFACE AND BINDER SHALL MEET THE LATEST EDITION OF IDOT'S STANDARD FOR ROAD AND BRIDGE CONSTRUCTION



REVISIONS	
DATE:	BY:
01/2013	DG
02/2022	CA

<b>MINOR COLLECTOR STREET</b>		
SCALE:	CHECKED:	DRAWING NUMBER:
NOT TO SCALE	DF	<b>EXHIBIT 11-B-2</b>
DATE:	DRAWN:	
1/04	NM/SAZ	