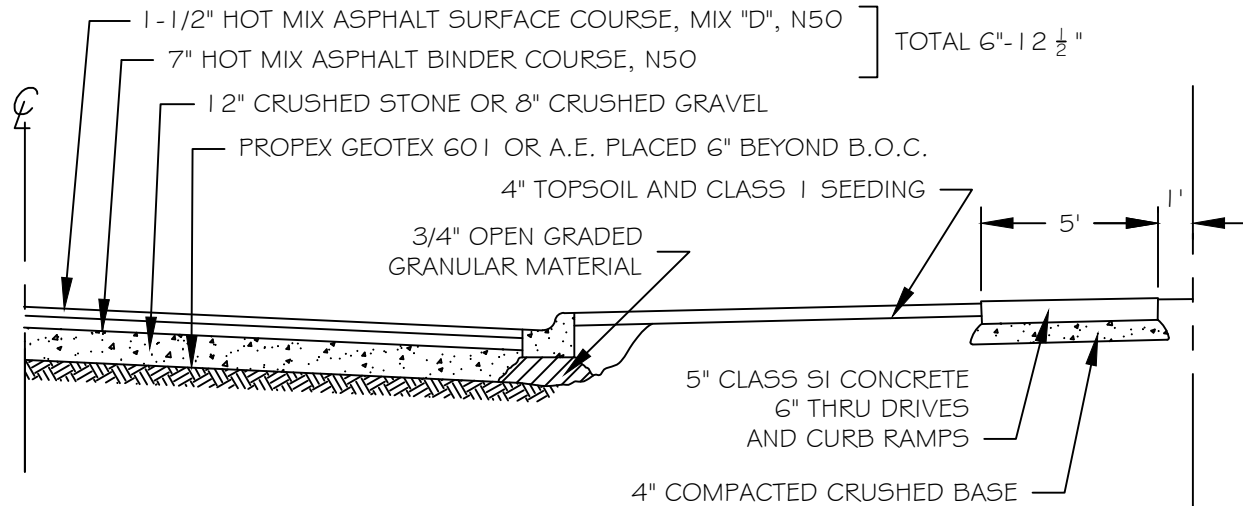


MAJOR COLLECTOR STREETS (TYPICAL DESIGN)



NOTES:

- 1) SUBGRADE MUST BE SHAPED PARALLEL TO FINISHED COURSE TO OBTAIN A SOUND FREE-DRAINING SUBGRADE TO THE CURB LINE AND TO THE INLETS OR CATCH BASINS.
- 2) SELECTED COMPACTED SUBGRADE WITH A MIN. I.B.R. OF 3.0
- 3) SEE EXHIBIT FOR CURB DETAILS
- 4) CLEAN COMPACTED CLAY FILL TO BE PLACED BEHIND B.O.C. PRIOR TO THE BINDER COURSE.
- 5) SURFACE AND BINDER SHALL MEET THE LATEST EDITION OF IDOT'S STANDARD FOR ROAD AND BRIDGE CONSTRUCTION.



REVISIONS

DATE:	BY:
04/2018	DGoewey
02/2022	CArmin

MAJOR COLLECTOR STREETS

SCALE:	NOT TO SCALE	CHECKED:	DF
DATE:	1/04	DRAWN:	NM/SAZ

DRAWING NUMBER:
EXHIBIT II-B-3