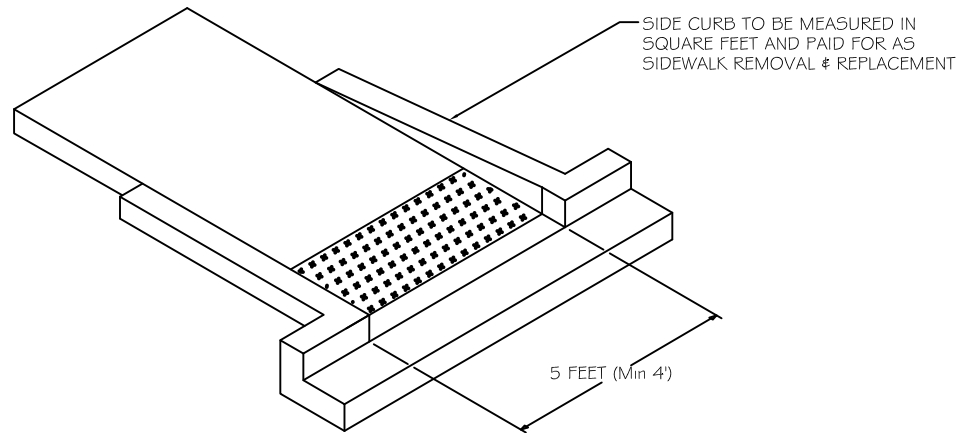
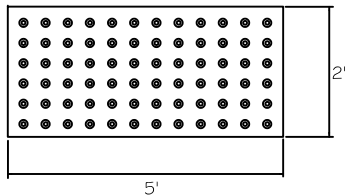


NO SIDE CURB REQUIRED



SIDE CURB REQUIRED

CURB RAMP DETAIL
FOR STANDARD 5' WIDE
SIDEWALK IN LANDSCAPED AREAS



DETAIL - A

USE A 2' X 4' TILE TO FIT EXISTING SIDEWALK OR EXISTING CURB DEPRESSION AS DETERMINED BY ENGINEER AT TIME OF CONSTRUCTION

NOTES:

1. DETECTABLE WARNING TILES SHALL BE RED ADA SOLUTIONS, INC.
2. TILES SHALL BE SECURELY SET FLUSH WITHIN THE P.C. CONCRETE SIDEWALK
3. PLACEMENT OF DETECTABLE WARNING TILES SHALL ADHERE TO LOCATIONS & SETBACKS AS SHOWN IN APPLICABLE IDOT STANDARDS FOR VARIOUS FIELD CONDITIONS.
4. THE COLORING AND STAMPING OF CONCRETE WILL NOT BE ALLOWED.
5. DETECTABLE WARNINGS SHALL BE INSTALLED AT ALL CURB RAMP. BIKE PATH TILE AREA SHALL MEASURE 1'0" WIDE.



REVISIONS

DATE:	BY:
02-26-20	DG

CURB RAMP DETAIL

SCALE:	CHECKED:	DRAWING NUMBER:
NOT TO SCALE	CL	EXHIBIT II-C-6
DATE:	DRAWN:	
1/04	DG	