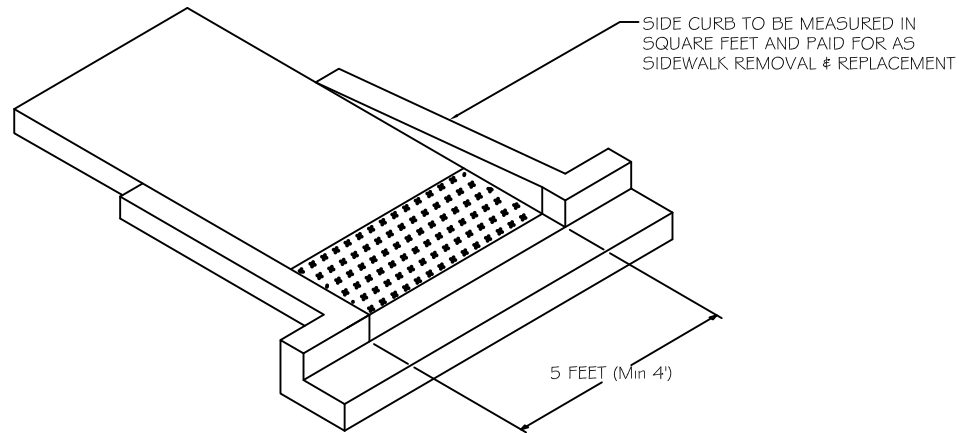
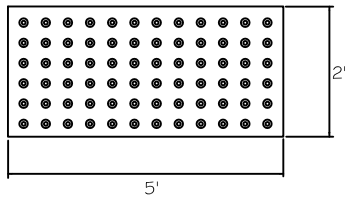


NO SIDE CURB REQUIRED



SIDE CURB REQUIRED

**CURB RAMP DETAIL**  
FOR STANDARD 5' WIDE  
SIDEWALK IN LANDSCAPED AREAS



DETAIL - A

USE A 2' X 4' TILE TO FIT EXISTING  
SIDEWALK OR EXISTING CURB  
DEPRESSION AS DETERMINED BY  
ENGINEER AT TIME OF CONSTRUCTION

NOTES:

1. DETECTABLE WARNING TILES SHALL BE RED ADA SOLUTIONS, INC. CAST IN PLACE
2. TILES SHALL BE SECURELY SET FLUSH WITHIN THE P.C. CONCRETE SIDEWALK
3. PLACEMENT OF DETECTABLE WARNING TILES SHALL ADHERE TO LOCATIONS & SETBACKS AS SHOWN IN APPLICABLE IDOT STANDARDS FOR VARIOUS FIELD CONDITIONS.
4. THE COLORING AND STAMPING OF CONCRETE WILL NOT BE ALLOWED.
5. DETECTABLE WARNINGS SHALL BE INSTALLED AT ALL CURB RAMPS. BIKE PATH TILE AREA SHALL MEASURE 8' WIDE.



REVISIONS

DATE:	BY:
12/2010	jhs
02-22-13	DG
04-17-18	DG

CURB RAMP DETAIL

SCALE: NOT TO SCALE	CHECKED: CL	DRAWING NUMBER: EXHIBIT II-C-6
DATE: 1/04	DRAWN: DG	