

MANHOLE DIAMETER		
OUTLET SEWER DIA.	D	T
21" AND UNDER	4'-0"	5"
24" THRU 42" INCLUSIVE	5'-0"	6"
48"	6'-0"	7"
60"	9'-0"	9"
60"	10'-0"	9 1/2"

8" SOLID CONC. BLOCK SUPPORTS
(3) EQUALLY SPACED AT 120°. TOPS MUST BE LEVEL (NOT REQ'D. WITH ALT. PRECAST BOTTOM)

CEMENT PIPE IN PLACE WATERTIGHT

SHAPE POURED CONCRETE BOTTOM TO INVERTS OF PIPES AS SHOWN

* ALL M.H. COMPONENTS SET IN BUTYL ROPE BEDS. CLOSE LIFT LUG HOLES WATERTIGHT.

SET SPECIFIED FRAME IN BUTYL ROPE BED

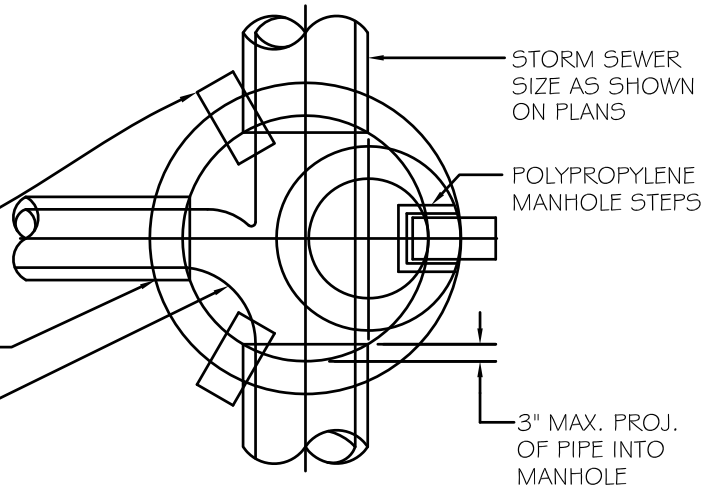
PRECAST CONC. ADJUSTING RING(S)

PRECAST REINF. CONC. MANHOLE CONE SECTION (ECCENTRIC)

PRECAST REINF. CONC. MANHOLE SECTION PER STANDARD SPECIFICATION FOR IMPROVEMENTS.

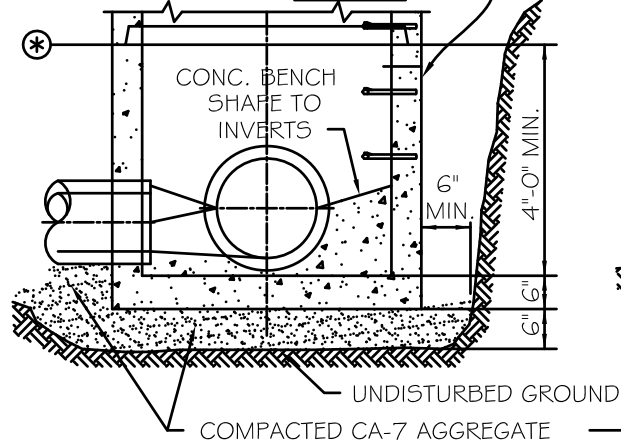
POURED CLASS-X CONC. MANHOLE BOTTOM WITH SHAPED INVERTS TO SEWER PIPES-POURED TO UNDISTURBED GROUND-COVER CONCRETE SUPPORT BLOCKS (ALTERNATE-SEE DETAIL BELOW)

PRECAST REINFORCED CONCRETE BOTTOM SLAB OR BOTTOM PER STANDARD SPECIFICATION FOR IMPROVEMENTS.

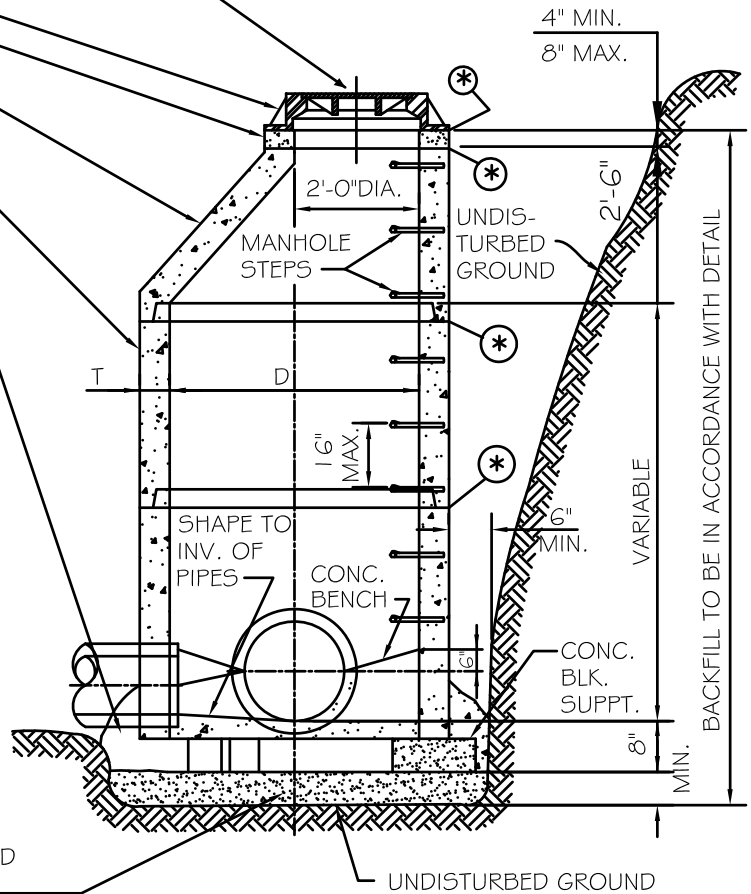


PLAN

Lid with "city of aurora"



ALTERNATE BOTTOM



SECTIONAL ELEVATION



REVISIONS

DATE:	BY:
01/2011	jhs
01/2014	dlg

STORM MANHOLE, TYPE A
DETAIL

SCALE: NOT TO SCALE	CHECKED: DF	DRAWING NUMBER
DATE: 1/04	DRAWN: NM	EXHIBIT III-A-3