

12 SQUARE INCHES DRAINAGE FABRIC
OVER WEEP HOLES

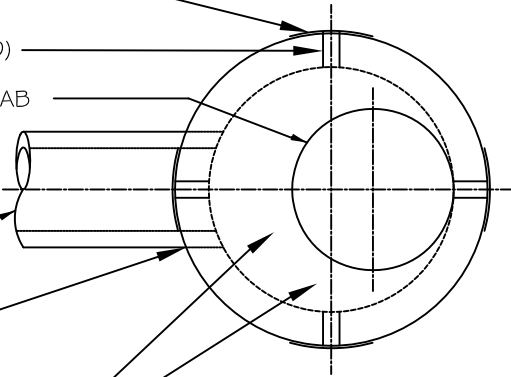
2 1/2" Ø WEEP HOLES (4 REQUIRED)

2'-0" DIA. OPENING IN TOP SLAB

OUTLET PIPE TO STORM
SEWER - SIZE AS
SHOWN ON PLANS

CEMENT PIPE IN
PLACE WATERTIGHT

4'-8" DIA. X 6" THK. CONCRETE
TOP SLAB - REINFORCED
WITH 8 - NO. 6 BARS X 2'-6"
LONG AROUND OPENING



PLAN

CAST IRON FRAME
(NOT SHOWN) SET
IN BUTYL ROPE BED

TOP OF FRAME
EQUALS FINISHED SURFACE

PRECAST CONCRETE
ADJUSTING RING(S)
UNDER C.I. FRAME

PRECAST REINFORCED
CONC. TOP SLAB 6" THK.

PRECAST REINFORCED
CONCRETE MANHOLE
SECTION 48" DIAMETER
BUTYL ROPE JOINTS
CLOSE LIFT LUG HOLES

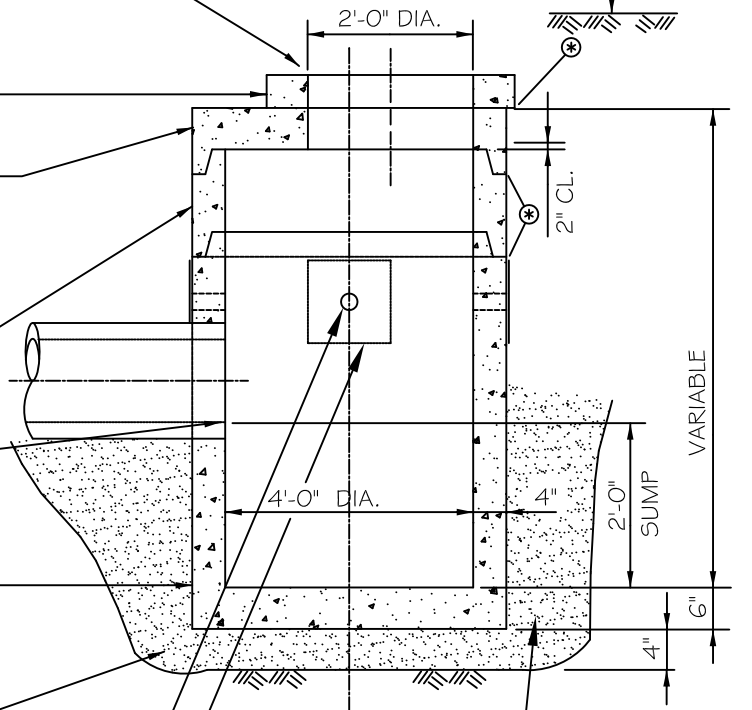
INVERT OF PIPE

PRECAST REINFORCED
CONCRETE BOTTOM
SECTION 48" DIAMETER

COMPACTED CA-7
AGGREGATE STONE UNDER
CATCH BASIN STRUCTURE

2 1/2" Ø WEEP HOLES (4 REQUIRED)
AT 90° SEPARATION

12 SQUARE INCHES DRAINAGE FABRIC
ON OUTSIDE OF STRUCTURE
CENTERED ON EACH WEEP HOLE



SECTION

BACKFILL TO BE
CA-7 AGGREGATE

CATCH BASINS LOCATED WITHIN THE ROADWAY
SHALL BE BACKFILLED WITH CA-7 (CRUSHED STONE)



REVISIONS

DATE: 01/2011	BY: DF/jhs

CATCH BASIN TYPE B

SCALE: NOT TO SCALE	CHECKED: DF
DATE: 1/04	DRAWN: NM

DRAWING NUMBER EXHIBIT III-A-4
