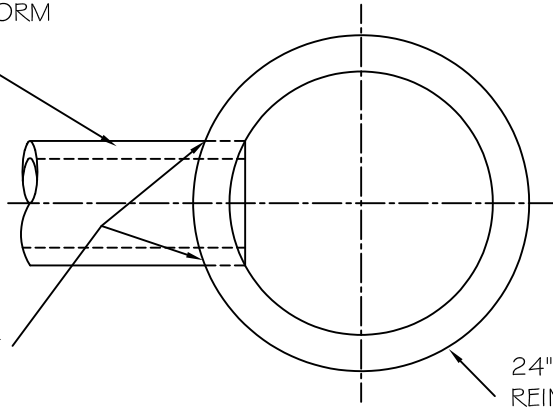


OUTLET PIPE TO STORM SEWER - SIZE AS SHOWN ON PLANS

MORTAR PIPE IN PLACE WATERTIGHT



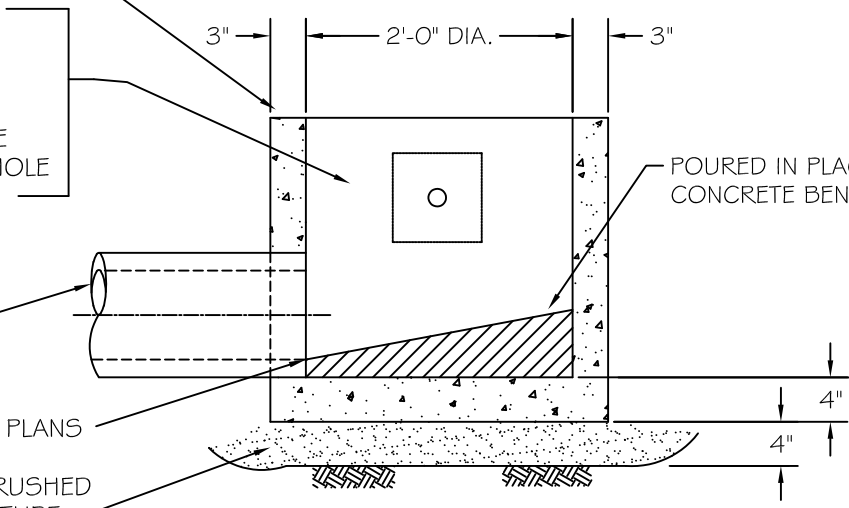
24" DIAMETER PRECAST REINFORCED CONCRETE STRUCTURE COMPLYING WITH STANDARD SPECIFICATION FOR IMPROVEMENTS.

PLAN

SET IN BUTYL ROPE BED

FOUR 2-1/2" WEEP HOLES @ 90° SEPERATION

1 2" SQ. DRAINAGE FABRIC ON OUTSIDE OF STRUCTURE CENTERED ON EACH WEEP HOLE



POURED IN PLACE CONCRETE BENCH

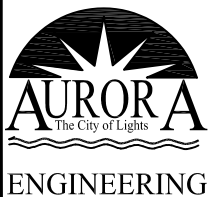
OUTLET PIPE TO STORM SEWER - SIZE AS SHOWN ON PLANS

INVERT OF PIPE SHOWN ON PLANS

COMPACTED GRAVEL OR CRUSHED STONE UNDER INLET STRUCTURE

SECTION

ALL INLETS SHALL BE BACKFILLED WITH CA-7 (CRUSHED STONE)



REVISIONS

DATE:	BY:
01/2011	jhs

STORM INLET, TYPE A
DETAIL

SCALE:	CHECKED:	DRAWING NUMBER
NOT TO SCALE	DF	EXHIBIT III-A-5
DATE:	DRAWN:	
1/04	NM	