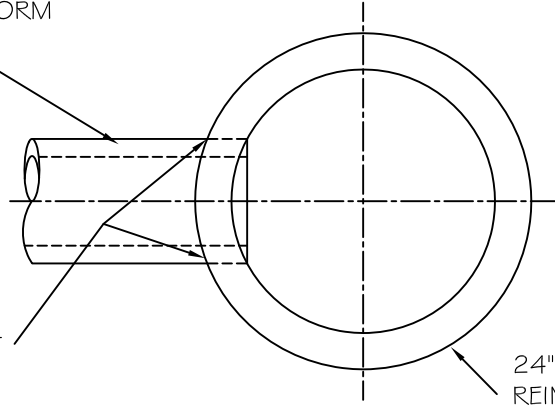


OUTLET PIPE TO STORM SEWER - SIZE AS SHOWN ON PLANS

MORTAR PIPE IN PLACE WATERTIGHT



24" DIAMETER PRECAST REINFORCED CONCRETE STRUCTURE COMPLYING WITH STANDARD SPECIFICATION FOR IMPROVEMENTS.

PLAN

SET IN BUTYL ROPE BED

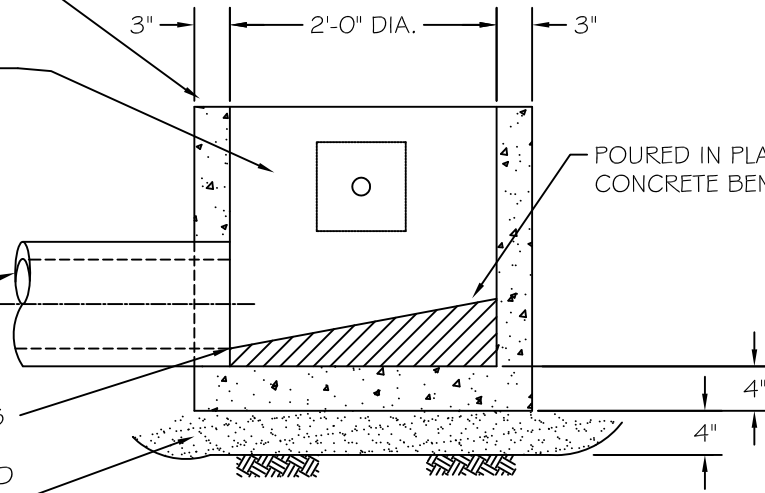
FOUR 2-1/2" WEEP HOLES @ 90° SEPERATION

1 2" SQ. DRAINAGE FABRIC ON OUTSIDE OF STRUCTURE CENTERED ON EACH WEEP HOLE

OUTLET PIPE TO STORM SEWER - SIZE AS SHOWN ON PLANS

INVERT OF PIPE SHOWN ON PLANS

COMPACTED GRAVEL OR CRUSHED STONE UNDER INLET STRUCTURE



POURED IN PLACE CONCRETE BENCH

SECTION

INLETS LOCATED WITHIN THE ROADWAY SHALL BE BACKFILLED WITH CA-7 (CRUSHED STONE)



REVISIONS

DATE:	BY:
01/2011	jhs

STORM INLET, TYPE A
DETAIL

SCALE:	CHECKED:	DRAWING NUMBER
NOT TO SCALE	DF	EXHIBIT III-A-5
DATE:	DRAWN:	
1/04	NM	