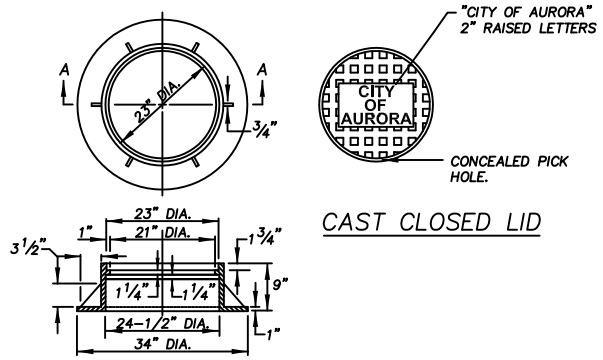


CAST FRAME

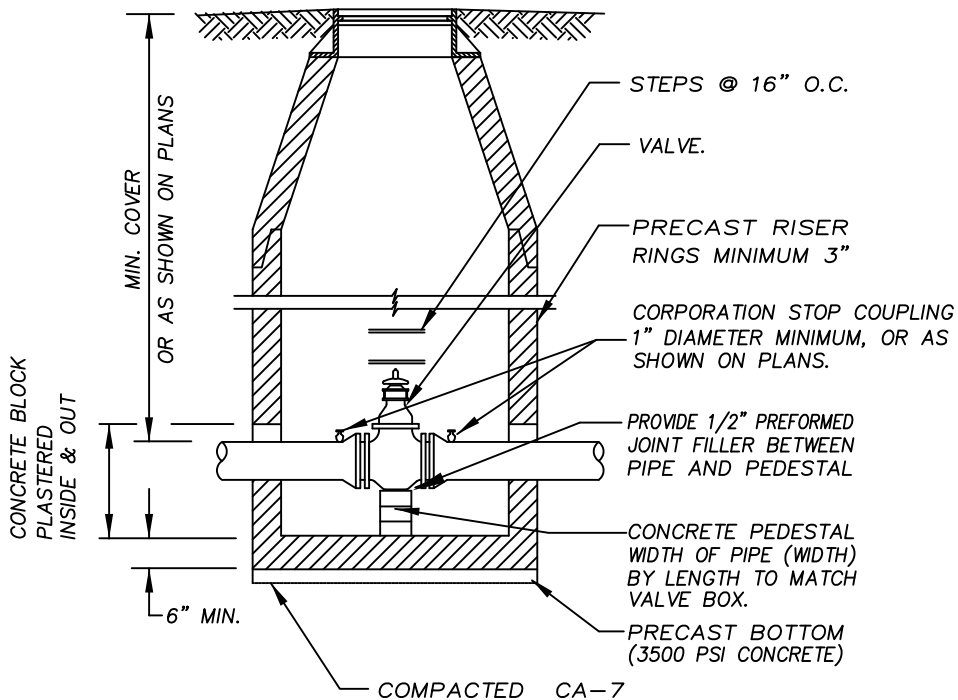
NOTES:

1. DUCTILE IRON CASTINGS SHALL BE GRADE 60-40-18 AND SHALL BE TESTED IN ACCORDANCE WITH FEDERAL SPECIFICATIONS.
2. ALL LIDS AND COVERS SHALL BE MACHINED.
3. THE MANHOLE COVERS SHALL HAVE RAISED LETTERS.
4. FRAME AND LID TO BE NEENAH R-1713-B.
5. LID SHALL BE CAST WITH THE DESIGNATION "CITY OF AURORA".
6. LID SHALL HAVE A CONCEALED PICK HOLE.



ALL JOINTS BETWEEN PRECAST ELEMENTS, ADJUSTMENT RINGS AND MANHOLE FRAMES AND LIDS ON ALL UNDER GROUND STRUCTURES, SHALL BE SET IN PLACE WITH ONE OF THE FOLLOWING: BUTYL RUBBER JOINT SEALANTS AS MANUFACTURED BY CONCRETE PRODUCTS SUPPLY CO. ER STIK STB, HAMILTON GASKET CO. KENT SEAL OR EQUAL, AS APPROVED BY THE CITY ENGINEER, AND ALL JOINTS TO BE TUCKPOINTED WITH ANTI-HYDRAULIC CEMENT.

CAST CLOSED LID



REFER TO THE STANDARD SPECIFICATIONS FOR IMPROVEMENTS FOR VALVE, VAULT, CORPORATION, PIPE, AND JOINT TYPES, MANUFACTURES, AND SIZES.

NOTES:

1. VALVE VAULTS TO BE PRECAST REINFORCED CONCRETE UNLESS OTHERWISE APPROVE.
2. PRECAST CONCRETE ADJUSTMENT RINGS SHALL BE USED FOR ALL ADJUSTMENTS UP TO A MAXIMUM ADJUSTMENT OF EIGHT INCHES (8").
3. ALL VALVES LOCATED UNDER PAVEMENT SHALL BE LOCATED WITH VAULT.



REVISIONS

DATE:	BY:
	DGoewey
11/2014	

VALVE IN VAULT

SCALE:	CHECKED:	DRAWING NUMBER
NOT TO SCALE	DF	
DATE:	DRAWN:	
1/04	NM	EXHIBIT III-C-4