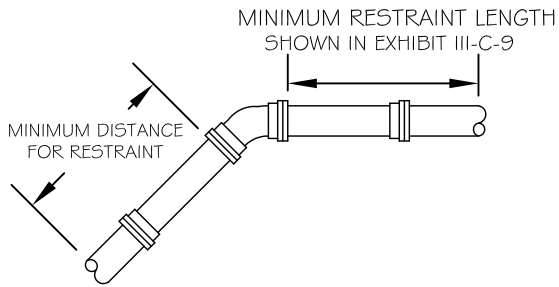
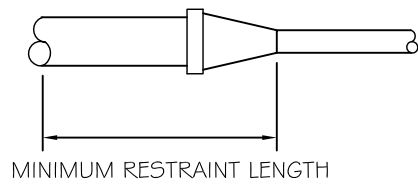


BENDS

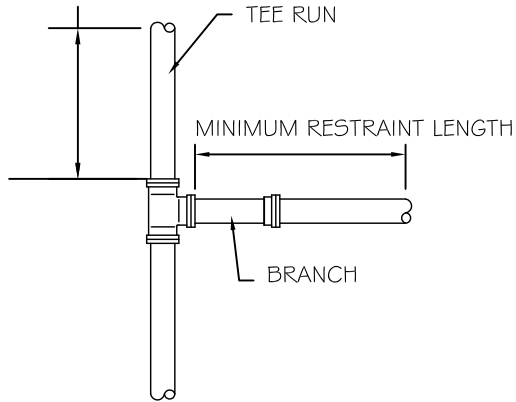


REDUCER

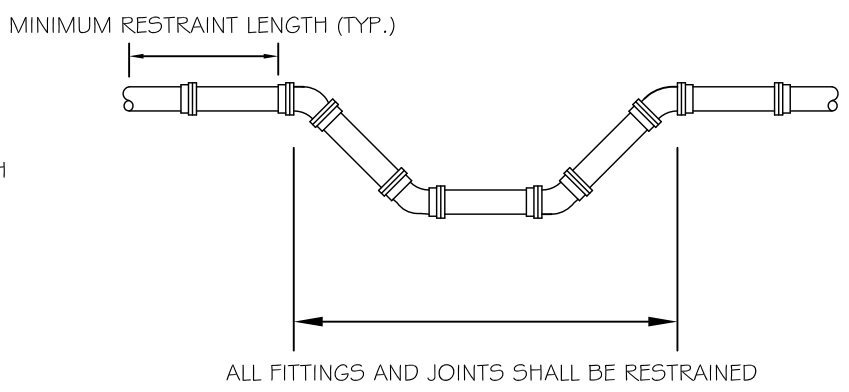


MIN. 8' SOLID PIPE (TYP.)

TEES



VERTICAL OFFSET



NOTES:
 1) THE EXACT LENGTHS FOR RESTRAINT ARE SHOWN IN EXHIBIT III-C-9



REVISIONS	
DATE:	BY:

WATER MAIN RESTRAINT DETAIL		
SCALE: NOT TO SCALE	CHECKED: DF	DRAWING NUMBER: EXHIBIT III-C-10
DATE: 1/04	DRAWN: NM	