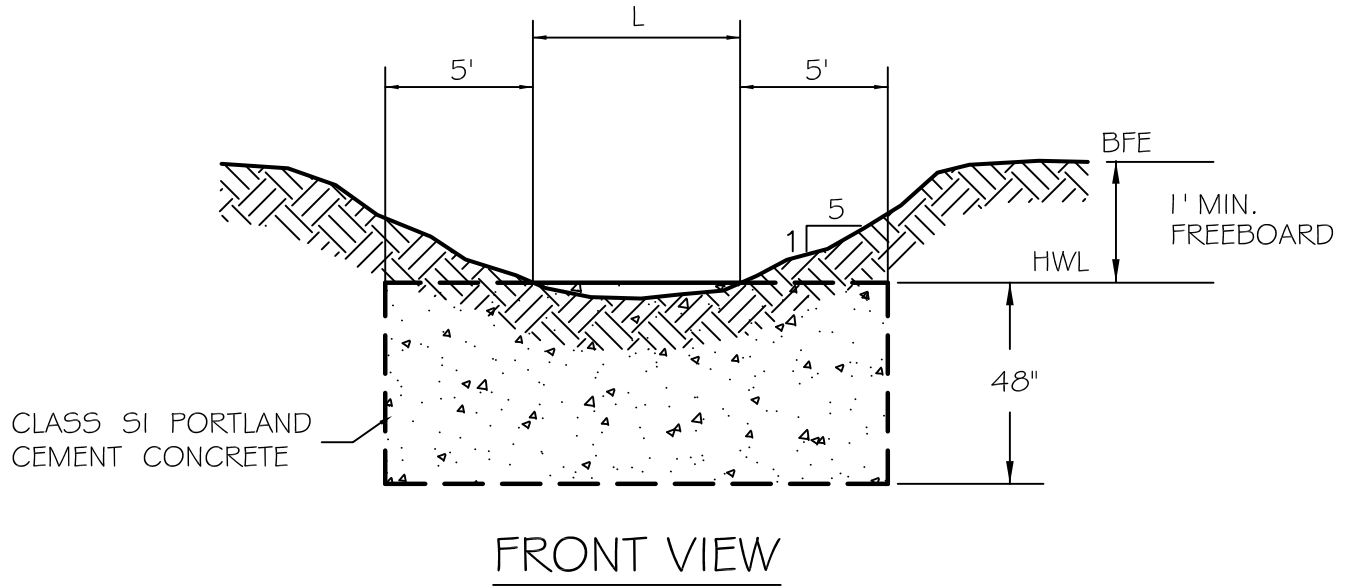


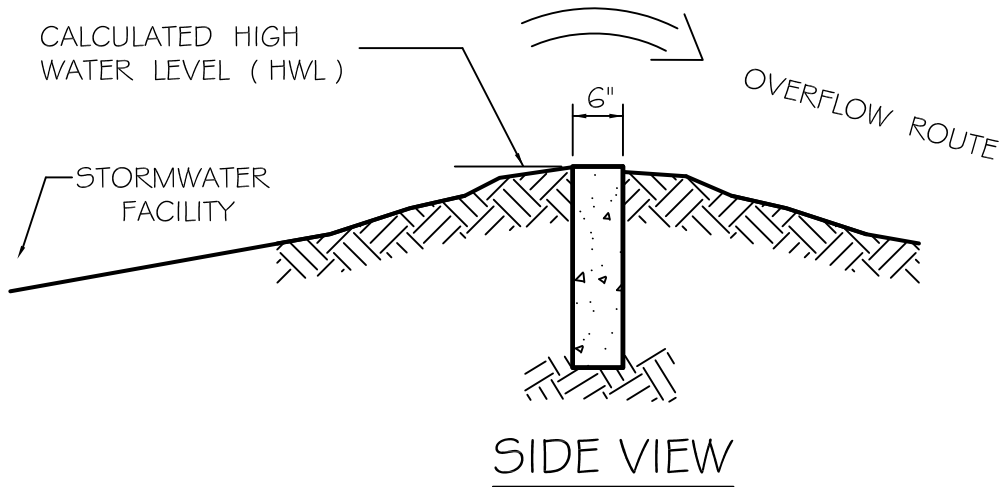
NOTE: "L" IS SIZED TO PASS THE 100 YEAR EVENT WITH ONE FOOT (1.0') MAXIMUM DEPTH OF WATER OVER THE WEIR. THE TOTAL DEPTH OF FREEBOARD MAY EXCEED 1.0' THE MINIMUM "L" IS FIVE FEET (5.0').

$$Q = CL \left( H^{\frac{3}{2}} \right) \text{ AND } L = Q/3.2$$

WHERE: C = 3.2; L = Length; H = 1.0 FEET;



$$Q = \underline{\hspace{2cm}} \quad L = \underline{\hspace{2cm}}$$



REVISIONS	
DATE: 04/2018	BY: DGoewey

## CONCRETE OVERFLOW WEIR

SCALE: NOT TO SCALE	CHECKED: DF	DRAWING NUMBER
DATE: 1/04	DRAWN: SAZ	EXHIBIT IV-C-3